



Запчасти для газовых котлов та колонок Ferroli

КУПИТИ



DOMIproject C32

LISTA PEZZI DI RICAMBIO

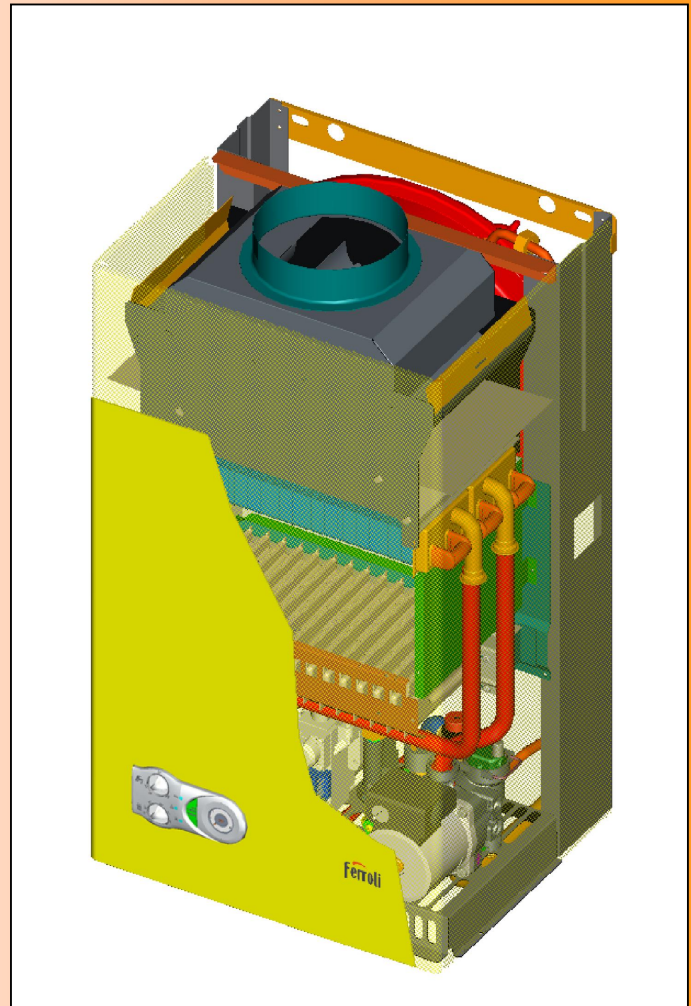
SPARE PART LIST

ERSATZSTEILE

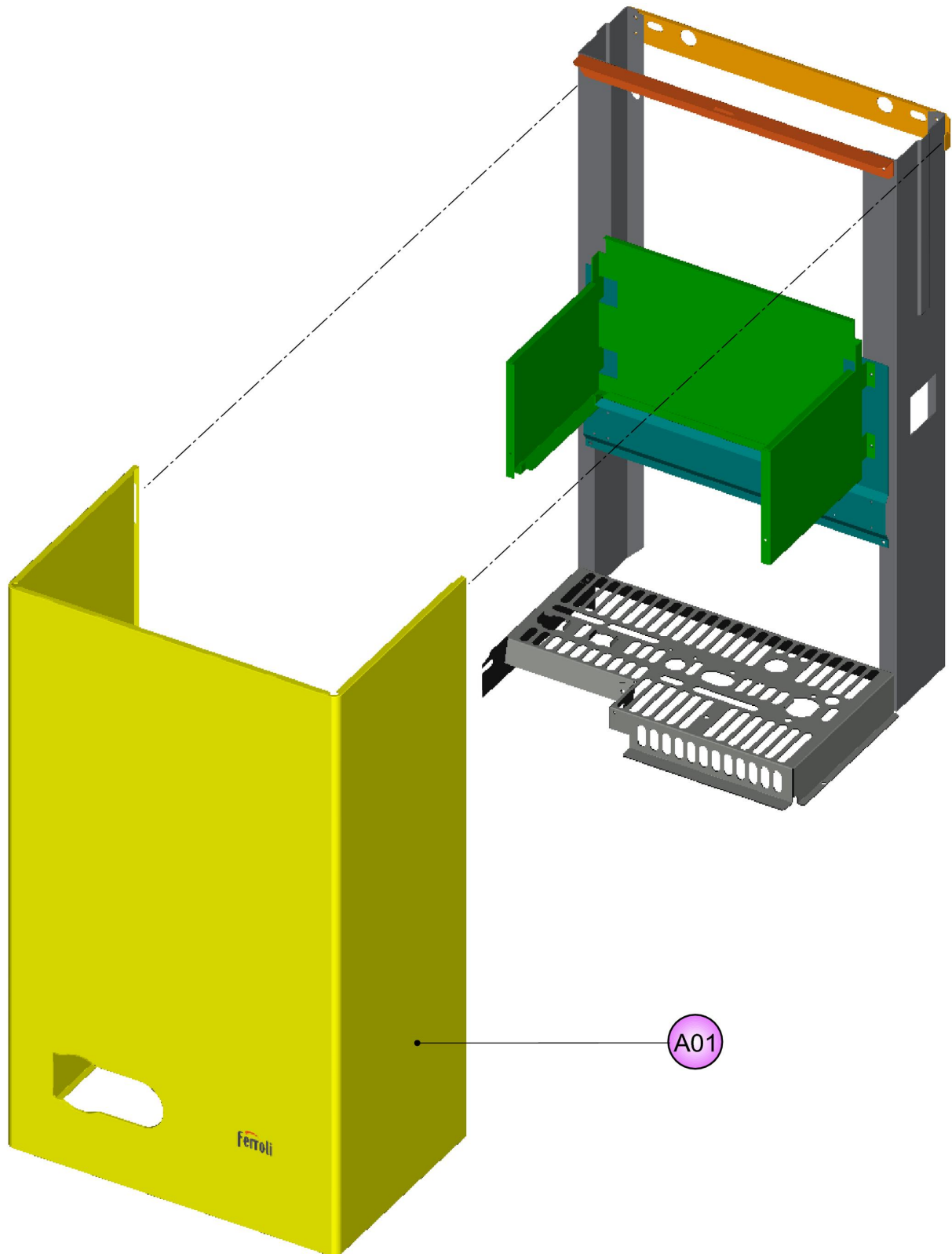
LIJST ONDERDELEN

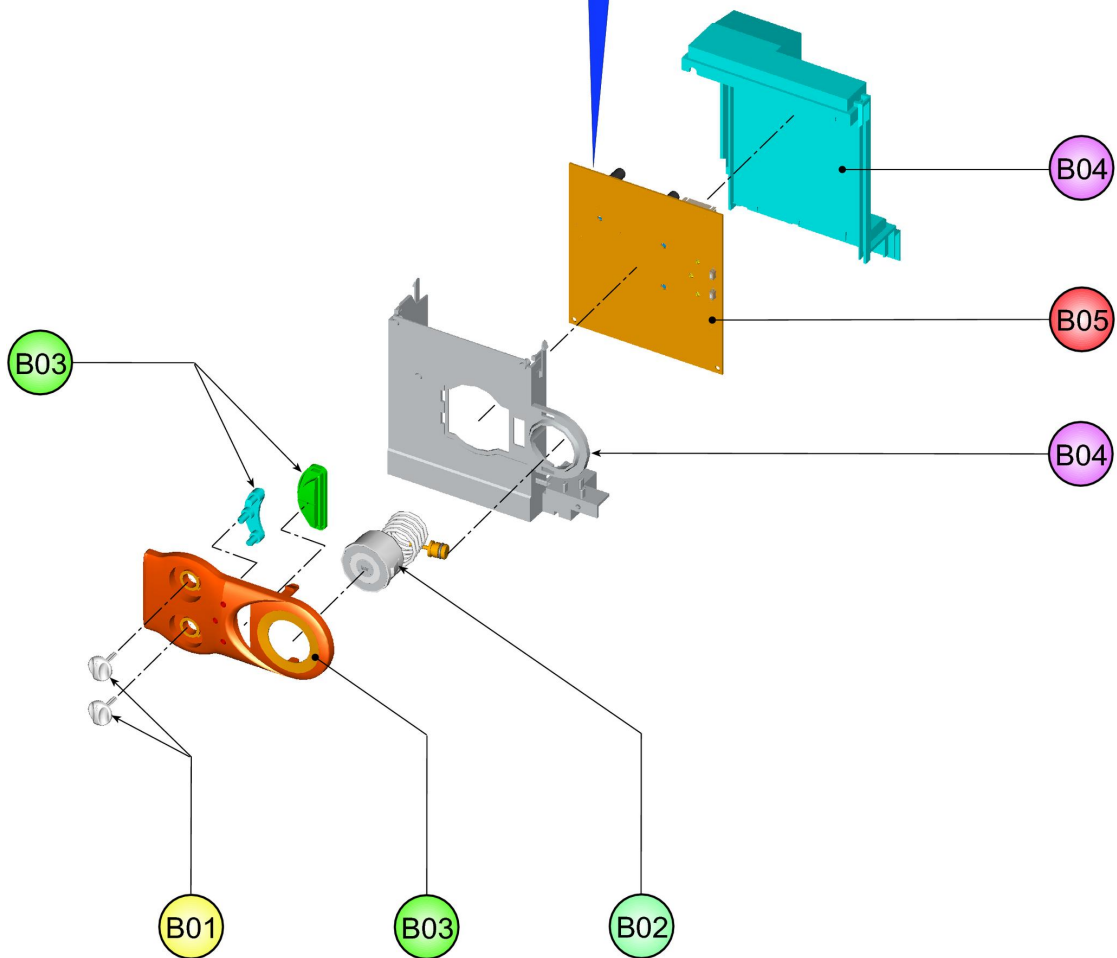
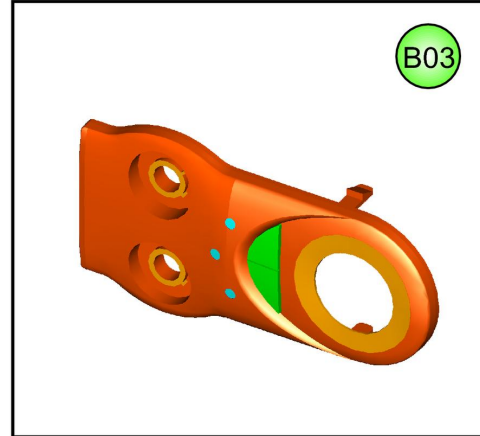
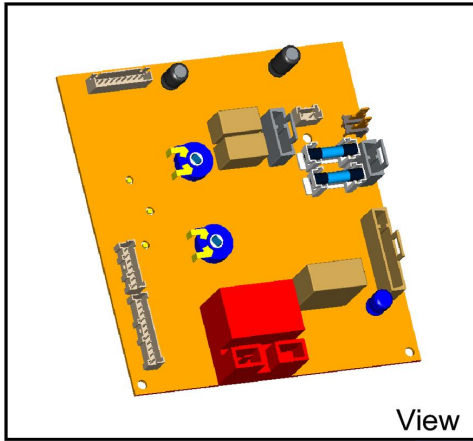
LISTE PIECES DETACHES

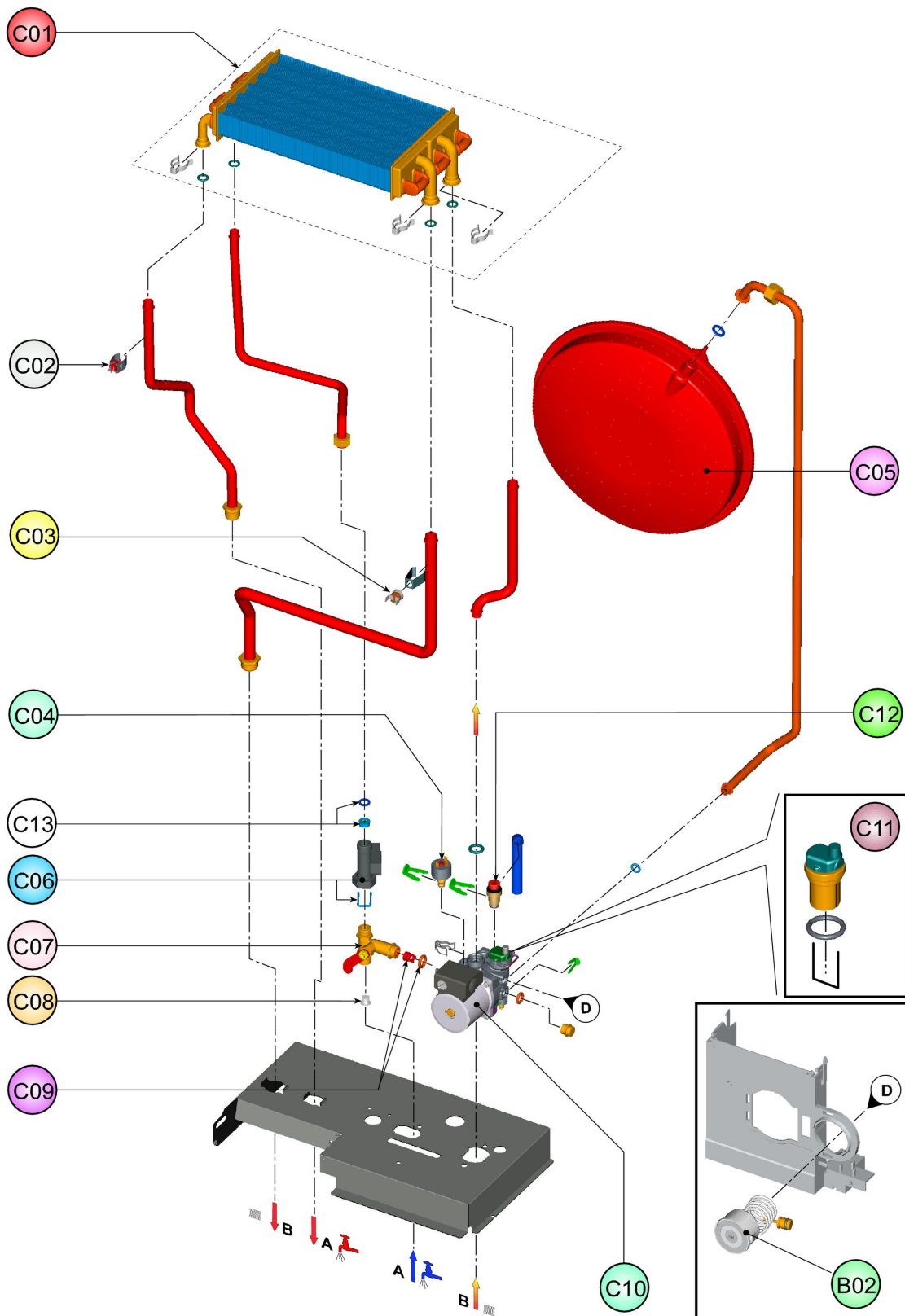
LISTA PIEZAS DE REPUESTO

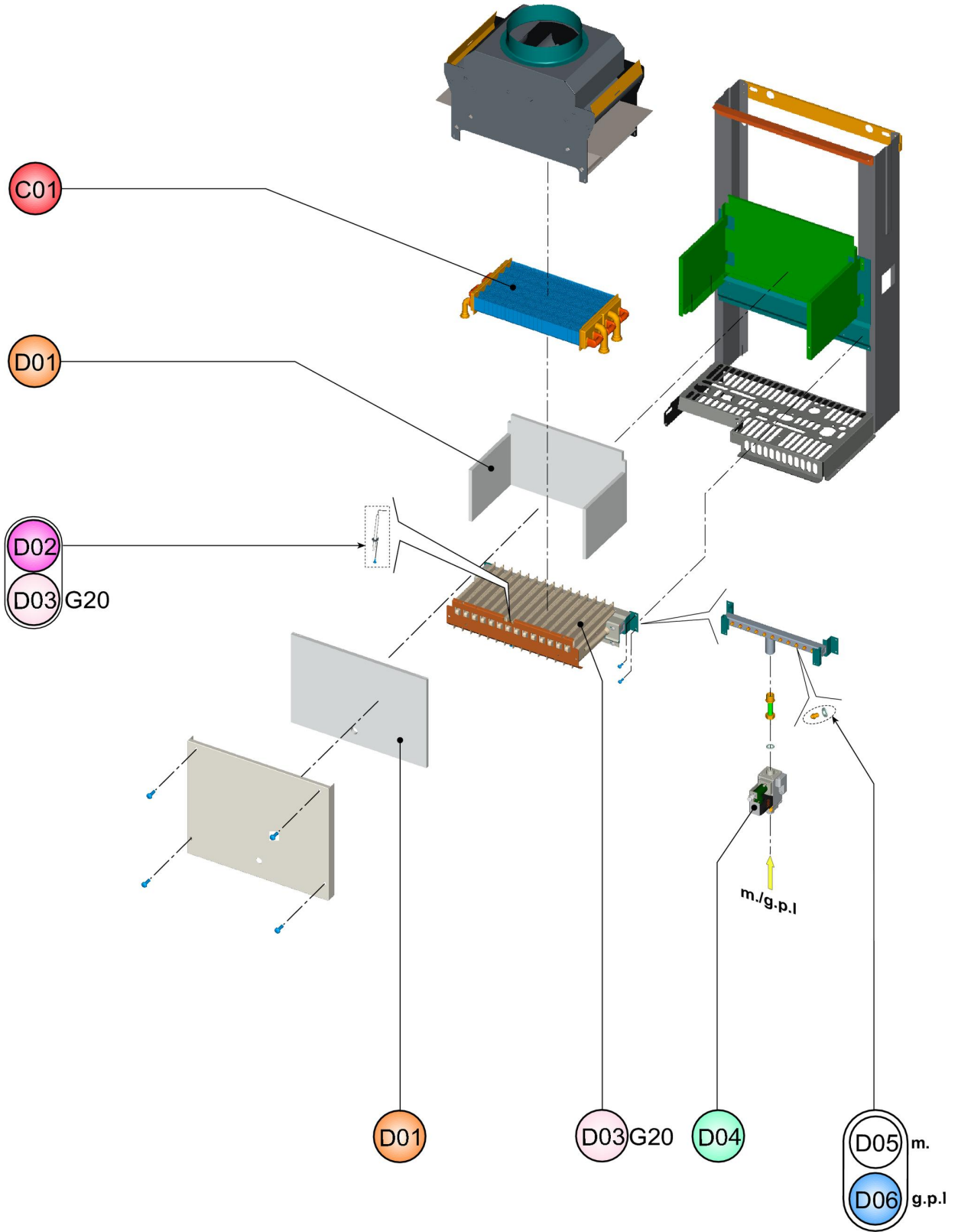


| CODICE | EDIZIONE | MERCATO |
|-------------------|-------------------|--------------------|
| 30K0287000 | 22/03/2006 | A2-A3-A4-A5 |









| LISTA PEZZI 0ABC7B2A | | DOMIproject C32 m. (A2) | |
|-----------------------------|---------------|---------------------------------|------------|
| POS. | CODICE | DESC. | QT. |
| A01 | 39819660 | KIT MANTELLO (31115970) | 1 |
| B01 | 39819500 | KIT 2 MANOPOLE (35012090) | 1 |
| B02 | 39818210 | KIT IDROMETRO (36402070) | 1 |
| B03 | 39819510 | KIT MASCHERINA (35011990) | 1 |
| B04 | 39819520 | KIT SCATOLA EL. (35012240) | 1 |
| B05 | 39819530 | KIT SCHEDA EL. (36507990) | 1 |
| C01 | 39819910 | KIT SCAMB.BITERM. (37404310) | 1 |
| C02 | 39819550 | KIT SONDA TEMP. (36200730) | 1 |
| C03 | 39810230 | KIT SONDA TEMP.SAN. (36200640) | 1 |
| C04 | 39818260 | KIT PRESSOST.H2O (39404710) | 1 |
| C05 | 39809690 | KIT VASO ESP.10Lt. (36802740) | 1 |
| C06 | 39818550 | KIT FLUSSOST.ELTEK (36400710) | 1 |
| C07 | 39818280 | KIT RUBIN.CARICO (36902150) | 1 |
| C08 | 39813230 | KIT 5 FILTRI FLUSS. (39402940) | 1 |
| C09 | 39818230 | KIT 5 VALV.N/R (39404740) | 1 |
| C10 | 39818450 | KIT POMPA AO/FX3FPL (39404220) | 1 |
| C11 | 39818220 | KIT V.ARIA (39404380-39404730) | 1 |
| C12 | 39818270 | KIT VALV.SIC. (39404720) | 1 |
| C13 | 39813220 | KIT 5 REG.PORT.15Lt. (36902100) | 1 |
| D01 | 39819720 | KIT ISOL.CAM.COMB. Sr.ABF7 | 1 |
| D02 | 39819430 | KIT ELETTRODO ACC. (36702890) | 1 |
| D03 | 39819730 | KIT BRUC.15R.m. (37608930) | 1 |
| D04 | 39819620 | KIT VALV.GAS (36800610) | 1 |
| D05 | 39819700 | KIT 15 UG.1,35 m. (34009821) | 1 |

| LISTA PEZZI 0ABC7B3A | | DOMIproject C32 m. (A3) | |
|-----------------------------|---------------|---------------------------------|------------|
| POS. | CODICE | DESC. | QT. |
| A01 | 39819660 | KIT MANTELLO (31115970) | 1 |
| B01 | 39819500 | KIT 2 MANOPOLE (35012090) | 1 |
| B02 | 39818210 | KIT IDROMETRO (36402070) | 1 |
| B03 | 39819510 | KIT MASCHERINA (35011990) | 1 |
| B04 | 39819520 | KIT SCATOLA EL. (35012240) | 1 |
| B05 | 39819530 | KIT SCHEDA EL. (36507990) | 1 |
| C01 | 39819910 | KIT SCAMB.BITERM. (37404310) | 1 |
| C02 | 39819550 | KIT SONDA TEMP. (36200730) | 1 |
| C03 | 39810230 | KIT SONDA TEMP.SAN. (36200640) | 1 |
| C04 | 39818260 | KIT PRESSOST.H2O (39404710) | 1 |
| C05 | 39809690 | KIT VASO ESP.10Lt. (36802740) | 1 |
| C06 | 39818550 | KIT FLUSSOST.ELTEK (36400710) | 1 |
| C07 | 39818280 | KIT RUBIN.CARICO (36902150) | 1 |
| C08 | 39813230 | KIT 5 FILTRI FLUSS. (39402940) | 1 |
| C09 | 39818230 | KIT 5 VALV.N/R (39404740) | 1 |
| C10 | 39818450 | KIT POMPA AO/FX3FPL (39404220) | 1 |
| C11 | 39818220 | KIT V.ARIA (39404380-39404730) | 1 |
| C12 | 39818270 | KIT VALV.SIC. (39404720) | 1 |
| C13 | 39813220 | KIT 5 REG.PORT.15Lt. (36902100) | 1 |
| D01 | 39819720 | KIT ISOL.CAM.COMB. Sr.ABF7 | 1 |
| D02 | 39819430 | KIT ELETTRODO ACC. (36702890) | 1 |
| D03 | 39819730 | KIT BRUC.15R.m. (37608930) | 1 |
| D04 | 39819620 | KIT VALV.GAS (36800610) | 1 |
| D05 | 39819700 | KIT 15 UG.1,35 m. (34009821) | 1 |

| LISTA PEZZI 0ABC7B4A | | DOMIproject C32 m. (A4) | |
|-----------------------------|---------------|---------------------------------|------------|
| POS. | CODICE | DESC. | QT. |
| A01 | 39819660 | KIT MANTELLO (31115970) | 1 |
| B01 | 39819500 | KIT 2 MANOPOLE (35012090) | 1 |
| B02 | 39818210 | KIT IDROMETRO (36402070) | 1 |
| B03 | 39819510 | KIT MASCHERINA (35011990) | 1 |
| B04 | 39819520 | KIT SCATOLA EL. (35012240) | 1 |
| B05 | 39819530 | KIT SCHEDA EL. (36507990) | 1 |
| C01 | 39819910 | KIT SCAMB.BITERM. (37404310) | 1 |
| C02 | 39819550 | KIT SONDA TEMP. (36200730) | 1 |
| C03 | 39810230 | KIT SONDA TEMP.SAN. (36200640) | 1 |
| C04 | 39818260 | KIT PRESSOST.H2O (39404710) | 1 |
| C05 | 39809690 | KIT VASO ESP.10Lt. (36802740) | 1 |
| C06 | 39818550 | KIT FLUSSOST.ELTEK (36400710) | 1 |
| C07 | 39818280 | KIT RUBIN.CARICO (36902150) | 1 |
| C08 | 39813230 | KIT 5 FILTRI FLUSS. (39402940) | 1 |
| C09 | 39818230 | KIT 5 VALV.N/R (39404740) | 1 |
| C10 | 39818450 | KIT POMPA AO/FX3FPL (39404220) | 1 |
| C11 | 39818220 | KIT V.ARIA (39404380-39404730) | 1 |
| C12 | 39818270 | KIT VALV.SIC. (39404720) | 1 |
| C13 | 39813220 | KIT 5 REG.PORT.15Lt. (36902100) | 1 |
| D01 | 39819720 | KIT ISOL.CAM.COMB. Sr.ABF7 | 1 |
| D02 | 39819430 | KIT ELETTRODO ACC. (36702890) | 1 |
| D03 | 39819730 | KIT BRUC.15R.m. (37608930) | 1 |
| D04 | 39819620 | KIT VALV.GAS (36800610) | 1 |
| D05 | 39819700 | KIT 15 UG.1,35 m. (34009821) | 1 |

| LISTA PEZZI 0ABC7B5A | | DOMIproject C32 m. (A5) | |
|-----------------------------|---------------|---------------------------------|------------|
| POS. | CODICE | DESC. | QT. |
| A01 | 39819660 | KIT MANTELLO (31115970) | 1 |
| B01 | 39819500 | KIT 2 MANOPOLE (35012090) | 1 |
| B02 | 39818210 | KIT IDROMETRO (36402070) | 1 |
| B03 | 39819510 | KIT MASCHERINA (35011990) | 1 |
| B04 | 39819520 | KIT SCATOLA EL. (35012240) | 1 |
| B05 | 39819530 | KIT SCHEDA EL. (36507990) | 1 |
| C01 | 39819910 | KIT SCAMB.BITERM. (37404310) | 1 |
| C02 | 39819550 | KIT SONDA TEMP. (36200730) | 1 |
| C03 | 39810230 | KIT SONDA TEMP.SAN. (36200640) | 1 |
| C04 | 39818260 | KIT PRESSOST.H2O (39404710) | 1 |
| C05 | 39809690 | KIT VASO ESP.10Lt. (36802740) | 1 |
| C06 | 39818550 | KIT FLUSSOST.ELTEK (36400710) | 1 |
| C07 | 39818280 | KIT RUBIN.CARICO (36902150) | 1 |
| C08 | 39813230 | KIT 5 FILTRI FLUSS. (39402940) | 1 |
| C09 | 39818230 | KIT 5 VALV.N/R (39404740) | 1 |
| C10 | 39818450 | KIT POMPA AO/FX3FPL (39404220) | 1 |
| C11 | 39818220 | KIT V.ARIA (39404380-39404730) | 1 |
| C12 | 39818270 | KIT VALV.SIC. (39404720) | 1 |
| C13 | 39813220 | KIT 5 REG.PORT.15Lt. (36902100) | 1 |
| D01 | 39819720 | KIT ISOL.CAM.COMB. Sr.ABF7 | 1 |
| D02 | 39819430 | KIT ELETTRODO ACC. (36702890) | 1 |
| D03 | 39819730 | KIT BRUC.15R.m. (37608930) | 1 |
| D04 | 39819620 | KIT VALV.GAS (36800610) | 1 |
| D05 | 39819700 | KIT 15 UG.1,35 m. (34009821) | 1 |

| LISTA PEZZI 0ABC7D2A | | DOMIproject C32 gpl (A2) | |
|-----------------------------|---------------|---------------------------------|------------|
| POS. | CODICE | DESC. | QT. |
| A01 | 39819660 | KIT MANTELLO (31115970) | 1 |
| B01 | 39819500 | KIT 2 MANOPOLE (35012090) | 1 |
| B02 | 39818210 | KIT IDROMETRO (36402070) | 1 |
| B03 | 39819510 | KIT MASCHERINA (35011990) | 1 |
| B04 | 39819520 | KIT SCATOLA EL. (35012240) | 1 |
| B05 | 39819530 | KIT SCHEDA EL. (36507990) | 1 |
| C01 | 39819910 | KIT SCAMB.BITERM. (37404310) | 1 |
| C02 | 39819550 | KIT SONDA TEMP. (36200730) | 1 |
| C03 | 39810230 | KIT SONDA TEMP.SAN. (36200640) | 1 |
| C04 | 39818260 | KIT PRESSOST.H2O (39404710) | 1 |
| C05 | 39809690 | KIT VASO ESP.10Lt. (36802740) | 1 |
| C06 | 39818550 | KIT FLUSSOST.ELTEK (36400710) | 1 |
| C07 | 39818280 | KIT RUBIN.CARICO (36902150) | 1 |
| C08 | 39813230 | KIT 5 FILTRI FLUSS. (39402940) | 1 |
| C09 | 39818230 | KIT 5 VALV.N/R (39404740) | 1 |
| C10 | 39818450 | KIT POMPA AO/FX3FPL (39404220) | 1 |
| C11 | 39818220 | KIT V.ARIA (39404380-39404730) | 1 |
| C12 | 39818270 | KIT VALV.SIC. (39404720) | 1 |
| C13 | 39813220 | KIT 5 REG.PORT.15Lt. (36902100) | 1 |
| D01 | 39819720 | KIT ISOL.CAM.COMB. Sr.ABF7 | 1 |
| D02 | 39819430 | KIT ELETTRODO ACC. (36702890) | 1 |
| D04 | 39819620 | KIT VALV.GAS (36800610) | 1 |
| D06 | 39819710 | KIT 15 UG.0,79 gpl (34013300) | 1 |

Firma
DI CARLO Cristian